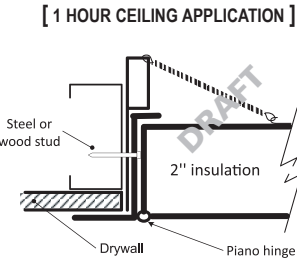
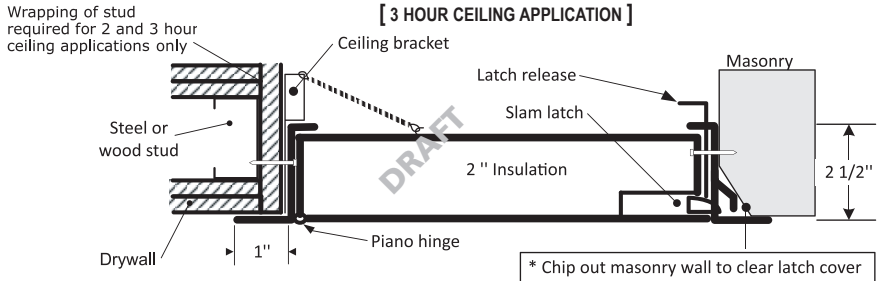


**FIRE RATED INSULATED ACCESS DOOR**  
FOR ALL SURFACE TYPES



**INSTALLATION: WALLS AND CEILINGS**



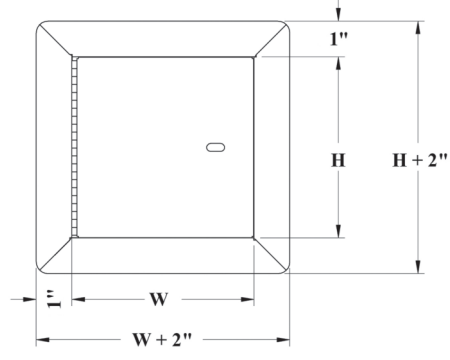
Authorities Having Jurisdiction (AHJ) should be consulted in all cases as to the particular requirements covering the installation and use of fire rated access doors.

**DIMENSIONS AND APPEARANCE**

LEED ready: This product contributes to LEED® credits.

ACCESS DOORS MADE FAST!

DOOR SIZE W x H inches (MM)	NUMBER OF LOCKS	WEIGHT LBS KG
8 x 8 (203 x 203)	1	7 3.2
10 x 10 (254 x 254)	1	8 3.6
12 x 12 (304 x 304)	1	10 4.5
14 x 14 (355 x 355)	1	12 5.4
16 x 16 (406 x 406)	1	14 6.4
18 x 18 (457 x 457)	1	17 7.7
22 x 22 (558 x 558)	1	20 9.1
22 x 30 (558 x 762)	1	30 13.6
22 x 36 (558 x 914)	2	34 15.5
24 x 24 (609 x 609)	1	28 12.7
24 x 36 (609 x 914)	2	36 16.4
* 24 x 48 (609 x 1219)	2	48 21.8
* 30 x 30 (762 x 762)	1	40 18.1
* 32 x 32 (812 x 812)	2	43 19.5
* 36 x 36 (914 x 914)	2	50 22.7
* 48 x 48 (1219 x 1219)	2	83 37.7



Rough wall opening is door size + 1/4" or + 6mm  
\*Not available for ceiling rating (maximum 24"x36")



**DESCRIPTION AND MATERIAL SPECIFICATION**

**FIRE RATING: For installation in vertical wall assemblies:**  
CERTIFIED TO STANDARDS: UBC 7-2 (1997), UL 10B (1997), UL 10B (2009), NFPA 252 (2003), NFPA 252 (2008), NFPA 252 (2012), CAN/ULC S104 (R1985), CAN/ULC S104 (2010).  
RATING ACHIEVED: 3 hours, neutral/negative pressure.  
MAXIMUM SIZE: 48" wide x 48" high (1219 mm x 1219 mm). Maximum area of 2304 in2. Tolerance on height and width limitation is ± 3" (76 mm) as long as the area does not exceed 2304 in2.  
TEMPERATURE RISE: 250°F (121°C) after 30 min. 450°F (232°C) after 60 min.

**FIRE RATING: For installation in horizontal ceiling assemblies:**  
CERTIFIED TO STANDARDS: ASTM E119 (2012), CAN/ULC S101 (2007).  
RATING ACHIEVED: 3 hours in non-combustible construction.  
1 hour in combustible construction.  
MAXIMUM SIZE: 24" x 36" (hinges & latch on 36" long sides) (610 mm x 914 mm). Tolerances on dimension limitations are ± 3" (76 mm) as long as the area does not exceed 864 in2.  
TEMPERATURE RISE: Not applicable.

- Material:** 16 gauge cold rolled steel frame and 20 gauge galvalneal steel door
- Insulation:** mineral wool
- Hinge:** continuous piano hinge
- Lock / latch:** self latching tool-key operated slam latch and/or ring operated slam latch, both included
- Inside panel release:** standard on all doors over 12" x 12"
- Automatic panel closer:** standard on all doors
- Finish:** high quality white powder coat primer
- Packaging:** individually wrapped, 1 per box

- POPULAR OPTIONS:**
- Material:** stainless steel #4 (brushed finish)
  - Lock / latch:** handle operated slam latch, mortise preparation for cylinder (cylinder optional), hex head slam latch, mortise deadbolt lock.
  - Masonry anchor:** available on all sizes



**PROJECT DATA**

PROJECT NAME:	QTY	W	H	OPTIONS
ARCHITECT:				
DEALER:				
CONTRACTOR:				
LOCATION:	SPECIAL INSTRUCTIONS:			
DATE:				
TAGGING INSTRUCTIONS:	SUBMITTAL APPROVAL: (signature or stamp)			

**Office/Warehouse:** 350 Thorens Avenue, Garden City Park, NY 11040  
**Warehouses:** California, Colorado, Florida, Illinois, Pennsylvania, Texas

Tel.: 516-294-1801  
Fax: 516-294-1828

Toll Free Phone: 888.634.3667  
www.metropolitandoor.com