

# Architectural Door Accessories

**ASSA ABLOY**

## Pemko Weatherization Products

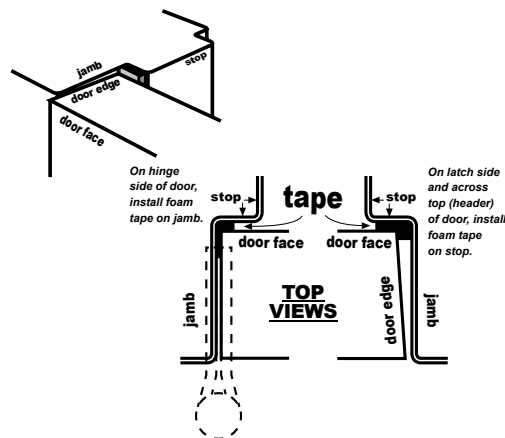
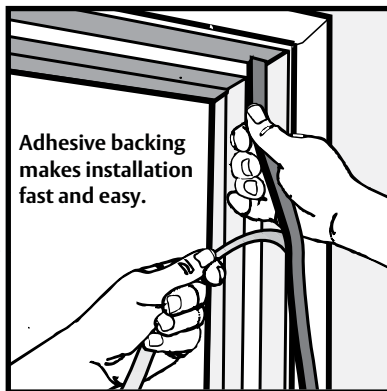
The global leader in  
door opening solutions

Applies to the following products:

**P240, P241, P241-30, P242, P243, P244, P260, P261, P262, P263, P264, P265, P266, P380, P381, P384, P385, P386, P387, P388, P390, P391, P392, P393, P394, P396, P397, P398, P484, P490, P491, P493, P497**

### Installation Instructions:

1. Apply to clean, dry surface.
2. Peel protective backing from starting end of roll.
3. Locate and press end of tape in place.
4. Working the length of tape, press in place as you continue to remove protective backing.
5. As you approach desired length, cut to fit before removing all the protective backing.



### Effective Temperatures:

Products effective between -20°F & 200°F (-29°C & 93°C): **P260, P261, P262, P263, P264, P265, P266, P385, P386, P240, P241, P241-30, P242, P243, P244**

Products effective between -20°F & 150°F (-29°C & 65°C): **P380, P381, P384, P387, P388, P484**

Products effective between 0°F & 200°F (-17°C & 93°C): **P390, P391, P392, P393, P394, P396, P397, P398**

### Tools Required:



[www.pemko.com](http://www.pemko.com)

MEMPHIS, TN USA    VENTURA, CA USA    VANCOUVER, BC CA    TORONTO, ON CA  
P: 800 824-3018    P: 800 283-9988    P: 877 535-7888    P: 877 535-7888  
F: 800 243-3656    F: 800 283-4050    F: 877 535-7444    F: 877 535-7444

Copyright © 2017 Pemko Manufacturing Co., an ASSA ABLOY Group company. All rights reserved.  
Reproduction in whole or in part without the express written permission of Pemko Manufacturing Company is prohibited.

WP1\_WEBINS  
Rev 2 - 01.25.17  
Page 1 of 1