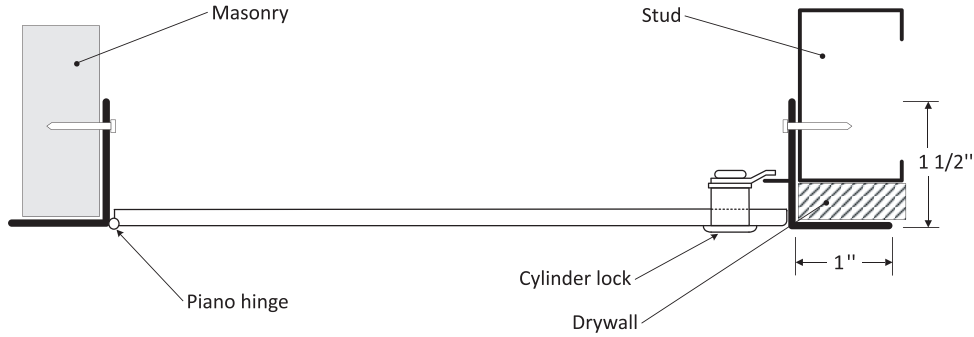


MEDIUM SECURITY ACCESS DOOR
FOR ALL SURFACE TYPES



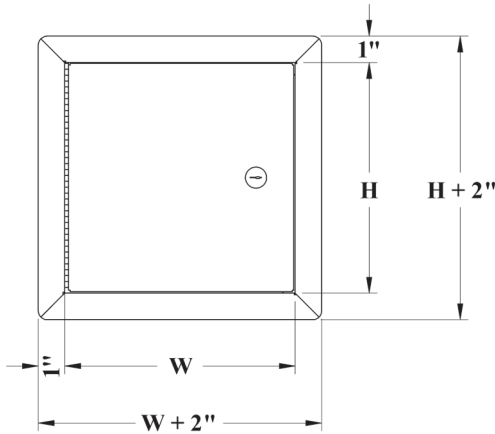
INSTALLATION



DIMENSIONS AND APPEARANCE

LEED ready: This product contributes to LEED® credits.

| DOOR SIZE - W x H INCHES (MM) | NUMBER OF LOCKS | WEIGHT | |
|-------------------------------------------------|--------------------|--------|------|
| | | LBS | KG |
| 12 x 12 (304 x 304) | 1 | 6 | 2.7 |
| 16 x 16 (406 x 406) | 1 | 7 | 3.2 |
| 18 x 18 (457 x 457) | 1 | 11 | 5 |
| 24 x 24 (609 x 609) | 1 | 19 | 8.6 |
| 24 x 30 (609 x 762) | 2 | 24 | 10.9 |
| 24 x 36 (609 x 914) | 2 | 27 | 12.2 |
| 36 x 36 (914 x 914) | 2 | 41 | 18.6 |
| Rough wall opening is door size + 1/4" or + 6mm | | | |



DESCRIPTION AND MATERIAL SPECIFICATION

- Material:** 14 gauge galvalneal steel
- Hinge:** continuous piano type
- Lock / latch:** key operated cylinder cam latch
- Finish:** high quality white powder coat primer
- Packaging:** individually wrapped, 1 per box

POPULAR OPTIONS:

- Material:** stainless steel 304 #4 (brushed finish)
- Lock / latch:** mortise preparation for cylinder (cylinder optional), pinned hex head cam latch, 4" key handle operated cam latch, mortise deadbolt lock

PROJECT DATA

| PROJECT NAME: | QTY | W | H | OPTIONS |
|-----------------------|---------------------------------------------|---|---|---------|
| ARCHITECT: | | | | |
| DEALER: | | | | |
| CONTRACTOR: | | | | |
| LOCATION: | SPECIAL INSTRUCTIONS: | | | |
| DATE: | | | | |
| TAGGING INSTRUCTIONS: | SUBMITTAL APPROVAL: (signature or stamp) | | | |