



LO-PRO™

Low Profile Lite Kit

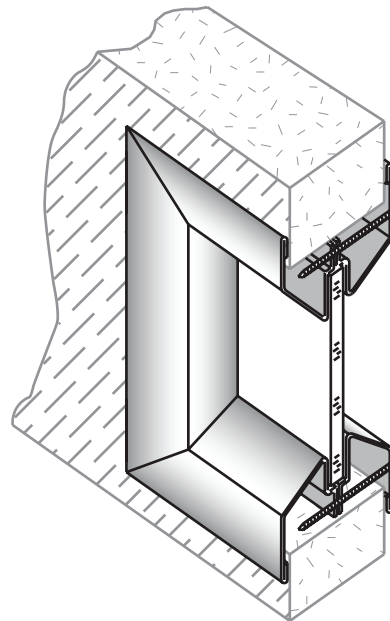
PRODUCT CUT SHEET

For 1 3/4" Thick Doors and 3/16", 1/4" or 5/16" Glass

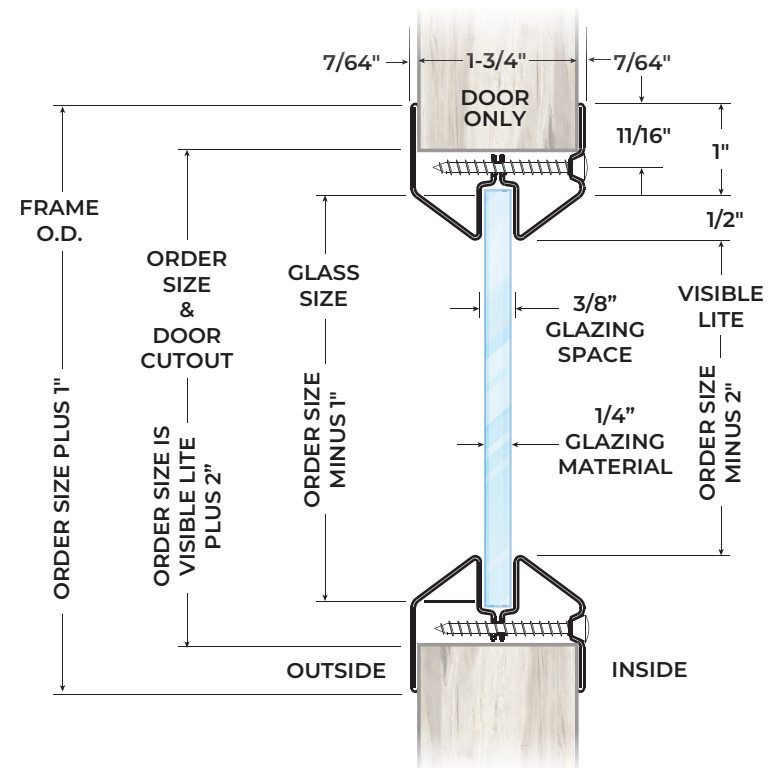
- ▶ 20 Ga. Cold Rolled Steel
- ▶ Mitered and Welded Corners
- ▶ Countersunk Mounting Screw-Holes
- ▶ #8 X 1 3/4" Phillips Head SMS
- ▶ Available in Uneven and Fractional Sizes
- ▶ Gray Primer (GPZ) Powder Coat Finish

Available Options

- ▶ Powder Coat Color Options - See Color Chart on ngp.com
- ▶ Torx Security Screws
- ▶ Electrogalvanized Steel
- ▶ Zinc Electroplating
- ▶ Glass & Glazing Tape - See Glass Section
- ▶ Lead Lining - 1/16" Thick



PROJECT:
SUBMITTED BY:
DATE:
NOTES:



Designed for Use on 1 3/4" Thick Doors Manufactured Within Door Industry Tolerance of +/- 1/16".

NGP-LIT-LOPRO-PCS-1223-A

Anemostat
DOOR PRODUCTS



EN-1634
European Std. BS 476.22
British Std.

NATIONAL GUARD PRODUCTS, INC.

MEMPHIS
4985 East Raines Road
Memphis, TN 38118

CARSON CITY
3689 Arrowhead Drive
Carson City, NV 89706

Fax: (800) 255-7874
Email: info@ngp.com

Quotes: quotes@ngp.com
Orders: orders@ngp.com

ngp.com
1-800-NGP-RUSH