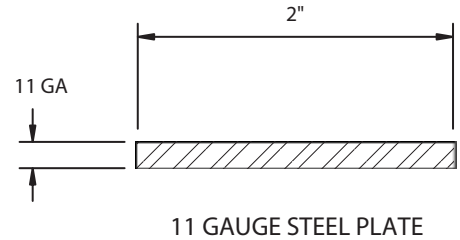


## FLAT STEEL ASTRAGALS

11 gauge thick heavy duty steel

Series: AST

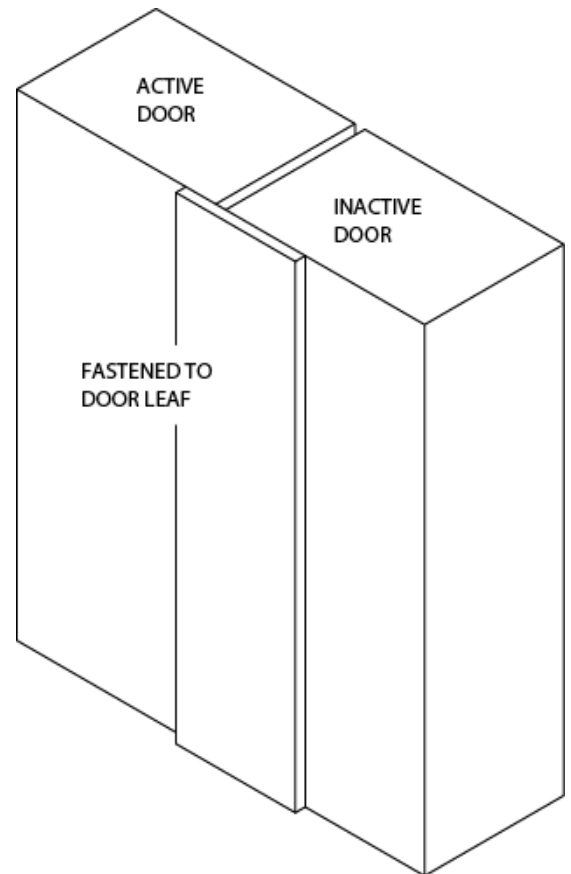
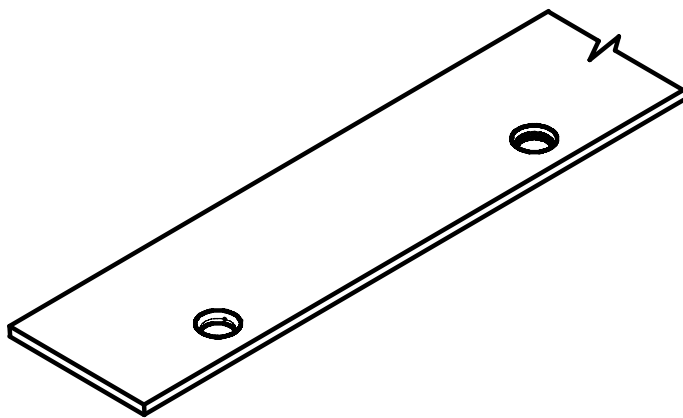
Description	Flat Steel Astragal x 11 gauge
Stock Size	2" x 7'-0" (83.125" net height); 2" x 8'-0" (95.125" net height).
Field Trimming:	Can be easily field-trimmed by installer for a perfect fit.
Preps	Drilled @ 10.25" on-center (OC) & 1/2" from edge.
Fasteners	12-24 Self-tapping machine screws included.
Steel Material	A60 Galv Steel
Gauge	11 Gauge (1/8" or .125")
NFPA 80	When installing pairs of fire doors care must be taken to maintain the requirements of NFPA 80.
Application	Covers gap between the door and jamb for the full door height, preventing prying and manipulation.
Steel & Finish	Galv. Steel / Unprimed. Finish painting by others.



### ORDERING INFO:

ITEM: AST-84

DESCRIPTION: 7'-0" x Flat Steel Astragal



#### NOTE:

Astragals can be field-trim to meet specific door height requirements.

