

PEMKO 325XG_N - DOOR BOTTOM SWEEP

Experience a safer
and more open world

Example: **325XG** **SS** **N** **36**
 | | | |
 Profile Finish Insert Length

TYPE: Door Bottom Sweep for Excessive Gaps

MATERIAL: Stainless Steel with Dense Neoprene Insert

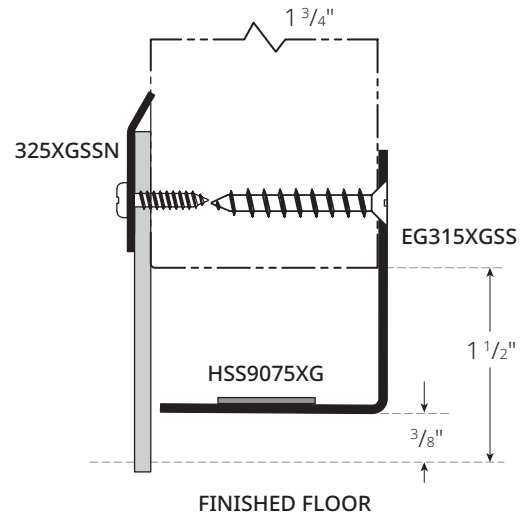
FINISHES: **SS** (Stainless Steel)
SSBSP (Black Suede Powder)
SS10BE (Satin Bronze)
SSWSP (White Suede Powder)

LENGTHS: 36", 42", and 48"

WIDTH: 3/16" (4.76 mm)

HEIGHT: 2 15/16" (74.68 mm)

WEIGHT: Estimated per foot: 0.15 lbs



LEADTIME: 10 working days (or less)

AVAILABLE: 325XG_ is shipped from Pemko's Memphis, Ventura, and Toronto locations.

WARRANTY: 5 Years from purchase date

INSTRUCTIONS, CAD DRAWINGS, PROFILE DRAWINGS and CUT SHEET
Available upon request and on website

PRODUCT TESTING:
Solutions for door and frame clearances that exceed the guidelines of NFPA 80 when installed per the manufacturer's instructions, intended for use with UL or Intertek Classified steel composite, hollow metal, wood, and plastic covered composite core doors with UL or Intertek listed frames rated up to 1 1/2 hours.

PRODUCT TEST RATING:



The ASSA ABLOY Group is the global leader in access solutions. Every day, we help billions of people experience a more open world.



ASSA ABLOY Opening Solutions leads the development within door openings and products for access solutions in homes, businesses and institutions. Our offering includes doors, frames, door and window hardware, mechanical and smart locks, access control and service.

MATERIAL SAFETY/FIRE HAZARDS:

Per OSHA Regulations (Standards – 29 CFR) this Pemko item is considered an “article” as described in section 1910.1200 paragraph (c), meaning that it is a manufactured item other than a fluid and is not a hazard. To help our customers we are providing additional information in this section to cover relevant topics found on Safety Data Sheets (SDS) but not found elsewhere in this document.

FIRE HAZARD – This product does not present a fire hazard. Please refer to the Product Testing section for fire rating information.

FIRST AID MEASURES – Under normal conditions this item presents no small parts and so this item cannot be inhaled or swallowed and has no adverse reaction when coming in contact with skin. Observe good industrial hygiene after installation.

Note to physician: treat symptomatically and supportively.

FIREFIGHTING MEASURES – As in any fire, prevent human exposure to fire, smoke, fumes, or products of combustion. Evacuate non-essential personnel from the fire area. Firefighters should wear face mask with self-contained breathing apparatus (SCBA) and impervious protective clothing. In case of aluminum fire, use class D dry powder to extinguish. DO NOT USE water or halogenated extinguishing media.

- Hazardous combustion products: none.

SPILL PROCEDURES – Sweep up any off-cuts from product and store in a suitable container for disposal.

HANDLING, STORAGE, AND DISPOSAL – There are no specific handling instructions. Always store at room temperature and keep away from heat sources. When disposing, if possible, recycle the item and its packaging. Otherwise disposal should be in accordance with local, state, or federal legislation. Bury in an authorized landfill site or incinerate under approved controlled conditions.

EFFECTS OF EXPOSURE – There are no effects under normal conditions of use. Observe good industrial hygiene.

TOXICITY – There is no toxicity hazard under normal conditions of use.

HEALTH HAZARD – This product may contain hazardous ingredients; harmful effects are unlikely under normal conditions.

CARE AND MAINTENANCE:

CLEANING – Pemko’s aluminum products and solid gasket products can be cleaned with a mild soap with warm water. A clean non-abrasive cloth should be used to clean the surface of these products. For removing grease, sealant, or other minimal adhesives a mild solvent such as mineral spirits may be used; then clean with mild soap mixed with warm water. To dry, either allow to air dry or wipe dry with a chamois, squeegee, or lint-free cloth.

For sponge gasket and weatherstrip products, wipe with a damp cloth. Do not use mineral spirits or other chemical as this may cause the plastic to “melt” or deteriorate. To dry, either allow to air dry or wipe dry with a chamois, squeegee, or lint-free cloth.

The use of strong solvents or cleaner concentrations may cause damage to the finish surface and isn’t recommended.

MAINTENANCE – Pemko products are generally low-maintenance and require nothing more than general cleaning. Should anything outside of “general cleaning” arise, please consult Pemko Customer Service.

If you have any questions, or if you have a situation outside this scope, please contact Pemko Customer Service.